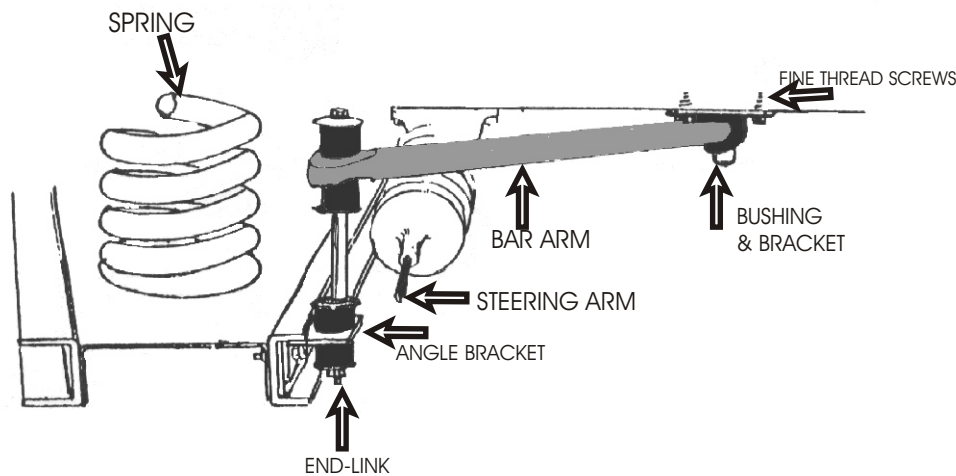


DIRECTION 144



DIRECTIONS #144

- STEP #1. Using the fine-thread screws provided, attach the frame brackets to the frame at the location of the existing holes, so that they hold the rubber bar bushings. Be sure bar arms are above steering rod.
- STEP #2. Assemble end-links, as illustrated. Make sure that angle is below bar eye, vertical side is down below horizontal side.
- STEP #3. Raise bar ends until angle bracket positions into front of A-arm. Knock it back into A-arm until it is seated, to align with existing hole.
- STEP #4. Attach angle brackets with the bolts and lock-nuts provided.
- STEP #5. Installation is now complete. Have someone bounce the front of your MG so you can check for full clearance of the installation throughout the suspension travel distance and throughout the turning radius. Check all fastenings for suitable tightness. Road test the car so as to accustom yourself to your MG's new handling. As we cannot supervise your installation or driving, we cannot be responsible for more than the cost of the kit. NOTE: For best handling and cornering balance, this kit should be used in conjunction with our rear bar #217.

HARDWARE

2	RH 018 End-links	2	RH 508 Bushings
2	RH 046 Brackets	2	RH 030BAngles
2	RH 304 Lock-Nuts	2	RH 214 Bolts
4	RH 216 Bolts	4	RH 104 Washers