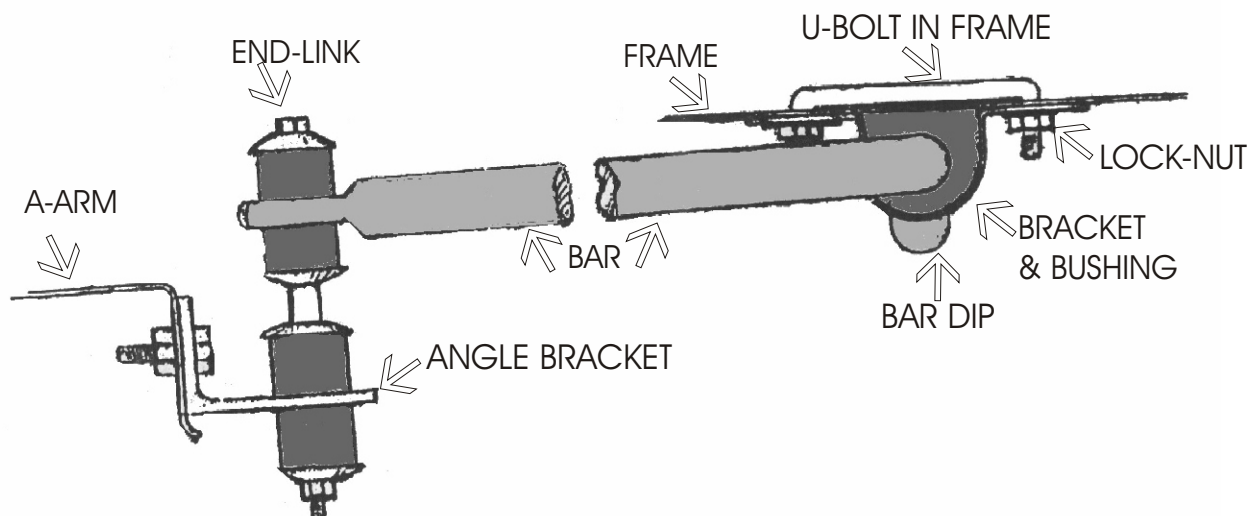


DIRECTION 165



Direction #165

- STEP #1.** Assemble end-links as illustrated so as to connect bar eye and angle bracket. The angle bracket and/or the whole end-link assembly may be put together the other way up if better alignment is attained for the A-arms. The bar eye may thus be below the angle bracket or it may be as illustrated but with the angle the other way up.
- STEP #2.** Position the bar so the angle brackets locate on the front of the A-arms. With the bar centered on the car, mark through the angle brackets and drill the front side of the A-arms with a 3/8" drill bit. On some custom installations, the bar can be located further to the rear of the frames so that the eye is over the A-arm stamping. In this case drill 5/8" hole directly in the A-arm to take the end-link and discard the angle bracket.
- STEP #3.** For convenience, tie the mid-section of the bar up against the frames and connect end-link assemblies to the A-arms. The bar bushings should be in place on the bar against the frames. Cover the bushings with the bar brackets and mark the frames through holes. Drill with 3/8" drill bit.
- STEP #4.** Place a lock nut on one end of the U-bolt and insert the other end through the end of the frame bracket and then into the frame. Maneuver until it reappears through the other hole and then cover with the free end of the bracket and secure with the other lock-nut to hold rubber mid-section bushing in place.
- STEP #5.** Check all fastenings for suitable tightness. Have someone bounce the front of the car so you may check clearance throughout the suspension travel distance. Road test the car so as to familiarize yourself with the cars new handling. As we cannot supervise your installation or your driving, we cannot be held responsible for more than the cost of the kit. **NOTE:** For best results and most balanced cornering, this kit should be used in conjunction with our rear kit. Please consult stock list for application.

HARDWARE

2	RH 015 End-Links	2	RH 509 Bushings
2	RH 040 Brackets	2	RH 031 Plates
2	RH 022 Angle Brackets	2	RH 402 U-Bolts
2	RH 213 Bolts	6	RH 304 Lock-Nuts
2	RH 102 Washers		