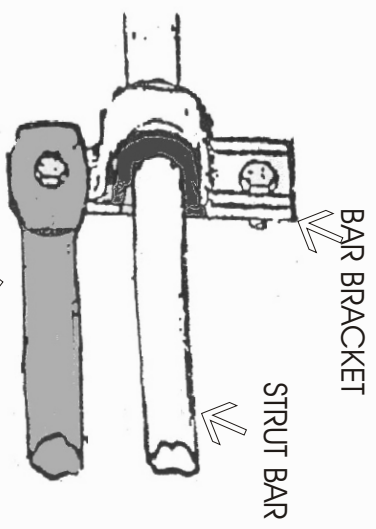
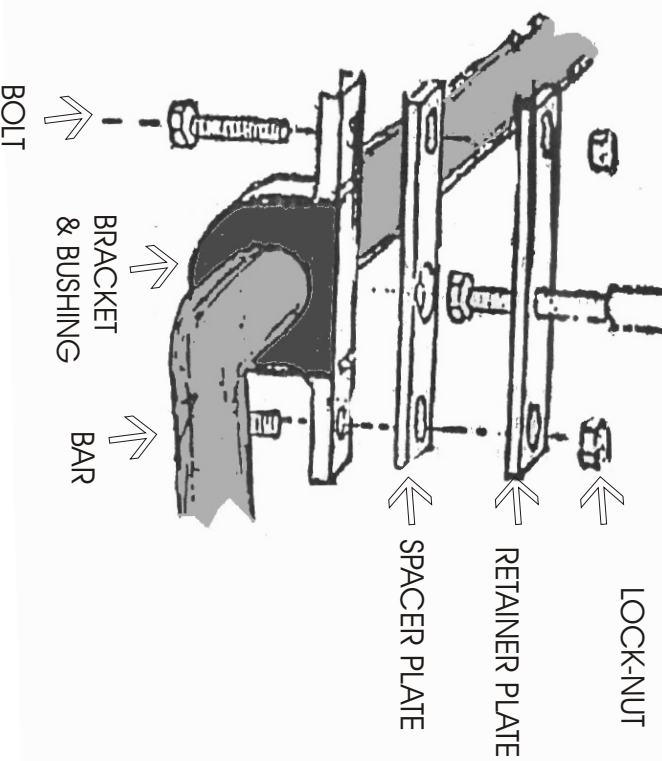
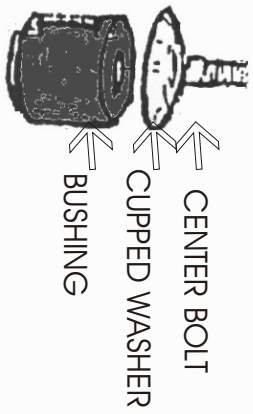


DIRECTION 1 69



DIRECTION 169

- STEP #1.** Remove existing bar and hangers.
- STEP #2.** Assemble the new hangers as illustrated. Start by assembling the upper part onto the car. This consists of passing the center bolt up through the plate with 3/8" hole in the center, then up through the tube, cupped washer, bushing, hole in the frame attachment on the car, then one more bushing and cupped washer and then the lock-nut.
- STEP #3.** Using the bar bracket, bar bushing and plate with the 5/8" hole in it, attach the bar to the upper retainer plate using the short bolts and lock-nuts provided.
- STEP #4.** Assemble the bracket and base plate onto the bar eye so as to hold the 3/4" D0bushing around the suspension trailing strut. The flat end of the bracket takes the bar end and the longer bolt. Tighten the lock-nuts to 20 lbs./ft.
- STEP #5.** Bounce the front of the car to check clearance throughout the suspension travel. Turn the steering loc-to-lock to check for clearance.
- STEP #6.** Road test your car to familiarize yourself with its new handling. As we cannot supervise your installation or your driving, we cannot be held responsible for more than the cost of the kit. For best balance and control, this kit should be used in conjunction with our rear bar.

Hardware

2 RH 509	Bushings	2 RH 507	Strut Bushings
2 RH 040	Brackets	2 RH 034A	Plates
2 RH 034B	Plates	6 RH 214	Bolts
2 RH 213	Bolts	2 RH 229	Bolts
4 RH 500	Bushings	4 RH 109	Cupped Washers
2 RH 062	Tube	10 RH 304	Lock-Nuts
2 RH 031	Plates	2 RH 053	Brackets
8 RH 104	Washers		