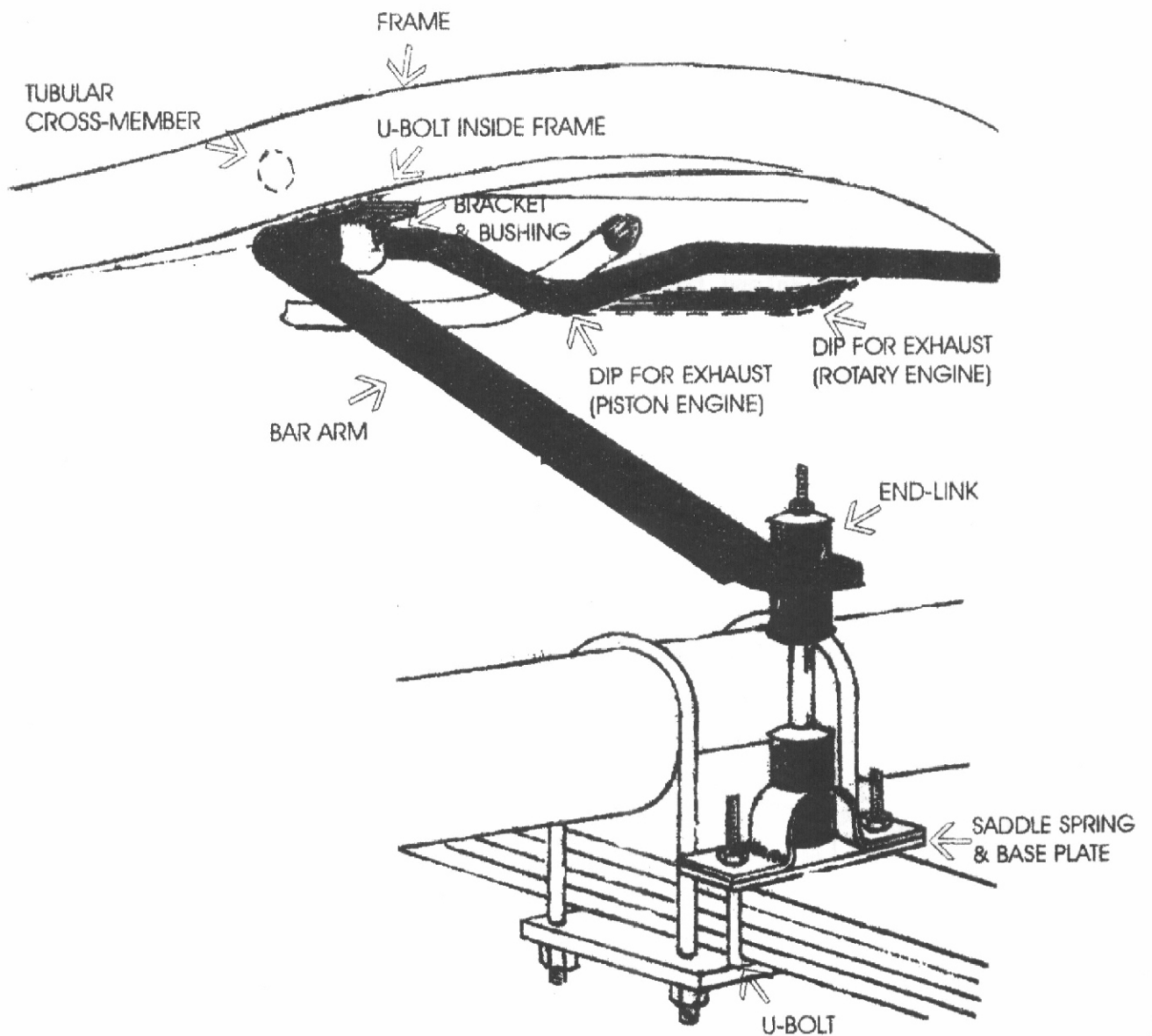
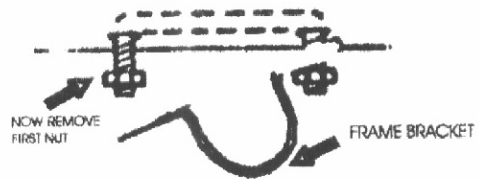
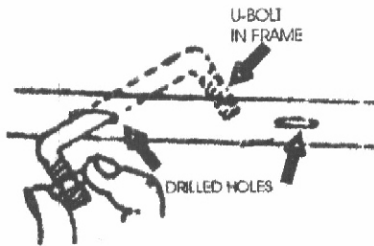


DIRECTION 247

U-BOLT DETAIL



Direction 247

Step #1. Assemble end-link as illustrated. Pass the end-link center bolt through one cupped washer; through a rubber bushing, through the bracket (from inside it); through another bushing; another washer; the tube spacer; another washer; another bushing; the last cupped washer, and secure with a lock nut. Be sure that washers have their cupped or hollow side towards the rubber bushings; and that the rubber have the end with the stepped surface towards the bracket or bar eye. Tighten the lock nut so the assembly is securely snug, but not so tight that the bushings bulge is to a noticeable extent.

Step #2. Place rubber bushings on the bar and position bar in place under the car. The bar crosses the car to the rear of the axle assembly, dip down, arms forward over the axle.

Step #3. Adjust bar forward or back until the end-links are approximately vertical. Maintaining this position, position frame bracket up against frame bottom around the bar. Mark through the holes the bracket should position just forward of the tubular cross member.

Step #4. Drill holes in bottom side of frame with a 3/8" drill bit. Take care to protect eyes from falling shavings.

Step #5. Place a nut on one end of the short legged U-bolt, insert the other end into one of the holes and maneuver it until it reappears from the other hole. Position one end of base plate and bracket on this end and start another nut on it. Remove first nut and then replace it so as to secure remaining end of the base plate and bracket. Slide bar bushings under the bracket and tighten the nuts.

Step #6. The installation is now complete. You should bounce the rear of the car so you can check for clearance of all parts through out the suspension travel distance. Check all fastenings for suitable tightness. Road test the vehicle to familiarize yourself with its new handling.

NOTE: All parts are guaranteed for one year, but as we can't supervise your installation or driving, we can't be responsible for more than the cost of the kit.

HARDWARE

2	RH 015 End-Links	8	RH 304 Lock-Nuts
2	RH 403 U-Bolts	4	RH 104 Washers
2	RH 040 Brackets	2	RH 041 Brackets
2	RH 031 Plates	2	RH 402 U-Bolts
2	RH 507 Bushings		