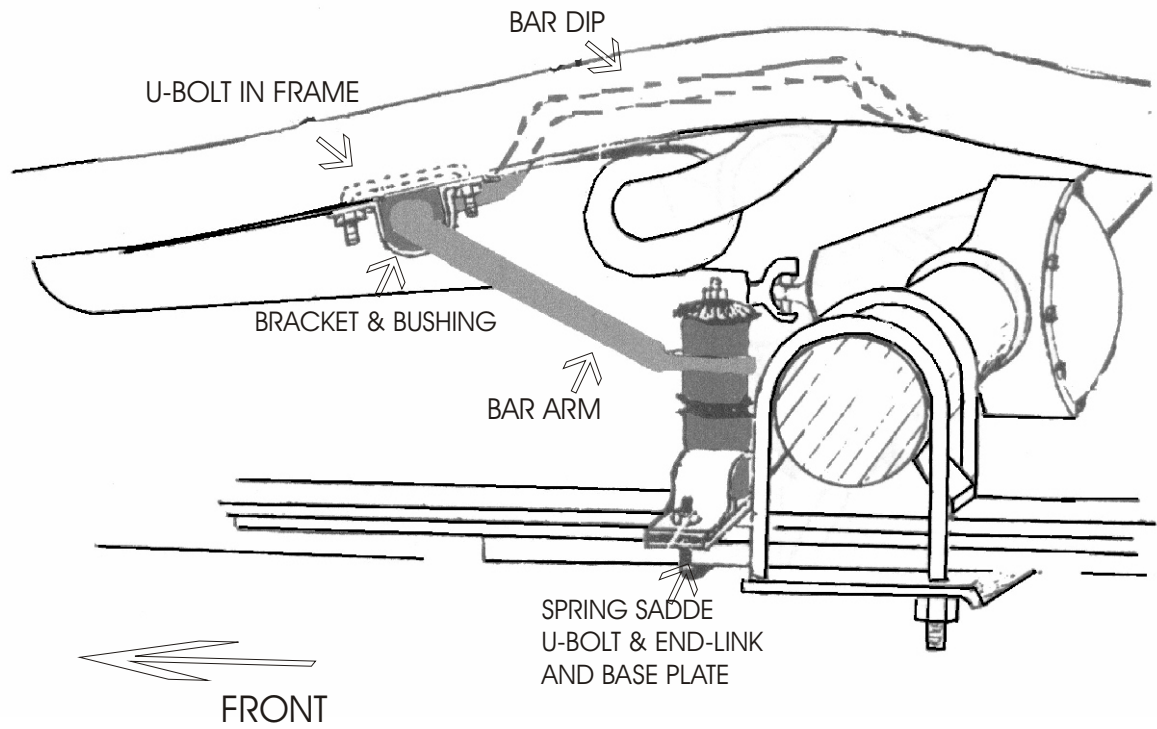
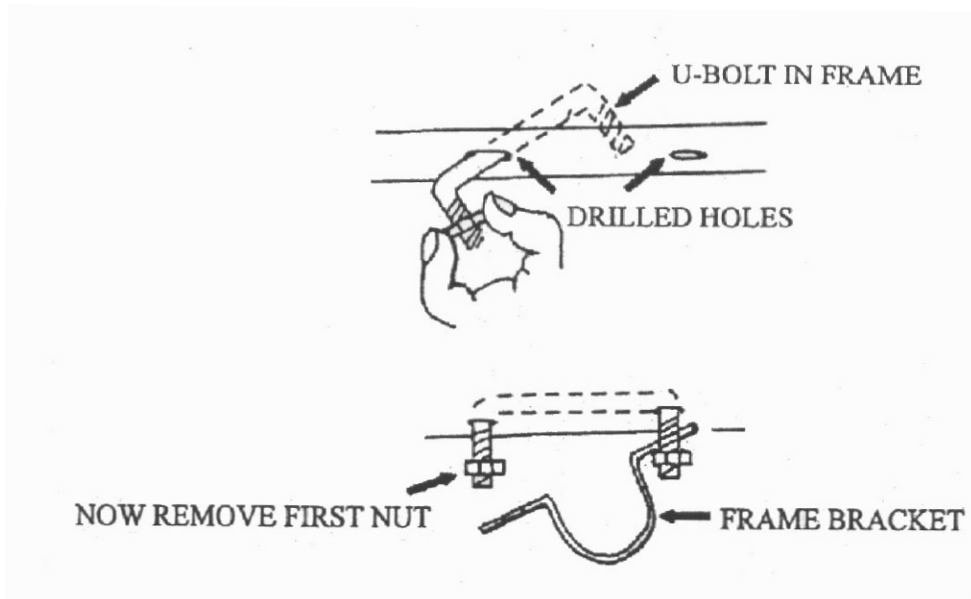


DIRECTION 260



U-BOLT DETAIL



Direction 260

- Step #1.** Put the bar over the drive shaft and over the muffler with its arms to the rear. On models with a heat shield attached to the bottom of the car, the shield should be bent upwards slightly. (On CJ-5 only, the muffler was positioned with its oval axis inclined upwards. The clamps may be loosened and the muffler oval made more horizontal; for added clearance.)
- Step #2.** Assemble the end-links on the ends of the bar as illustrated. To do this pass the 5/16" center bolt through a cupped washer on the round side, through a bushing; 2 washers; through the spring saddle bracket from the inside through another bushing, through a third bushing, through the bar eye, through another bushing; through a cupped washer from the hollow side and secure with the lock-nut provided. Be sure that the stepped side of the bushing fits in the hole in both the bracket and the bar eye; the smooth side being next to the cupped washer.
- Step #3.** Position the spring saddles across the spring just forward of the axle saddles. Pass the long-legged U-bolt around under the spring and up through the base plate and the bracket. Secure with the lock-nuts provided. The assembly should now be similar to that illustrated.
- Step #4.** Place the D-shaped bushing on the bar next to the bends. Raise bar mid-section to the frames, cover the bushing with the frame bracket as shown and mark the frame for drilling. Drill with a 3/8" bit.
- Step #5.** Place a lock-nut on one end of the U-bolt. Insert the other end through the hole in the frame bracket, through one of the holes drilled in the frame; maneuver until it reappears from the other hole in the frame, then secure free end of the frame bracket to it with another lock-nut. Tighten nuts on the U-bolt to 10 ft/lbs.
- Step #6.** Have someone bounce the rear of the car so you can check that the bar is clear throughout the suspension travel distance. Check all fastenings for suitable tightness. Road test the vehicle to familiarize yourself to its new handling. As we cannot supervise your installation or driving, we cannot be held responsible for more than the cost of the kit. **NOTE:** We suggest this bar be used in conjunction with our front bar.

HARDWARE

2	RH 040 Brackets	2	RH 041 Brackets
2	RH 031 Plates	2	RH 013 End-Links
2	RH 507 Bushings	2	RH 403 U-Bolts
2	RH 402 U-Bolts	4	RH 104 Washers
8	RH 304 Lock-Nuts		