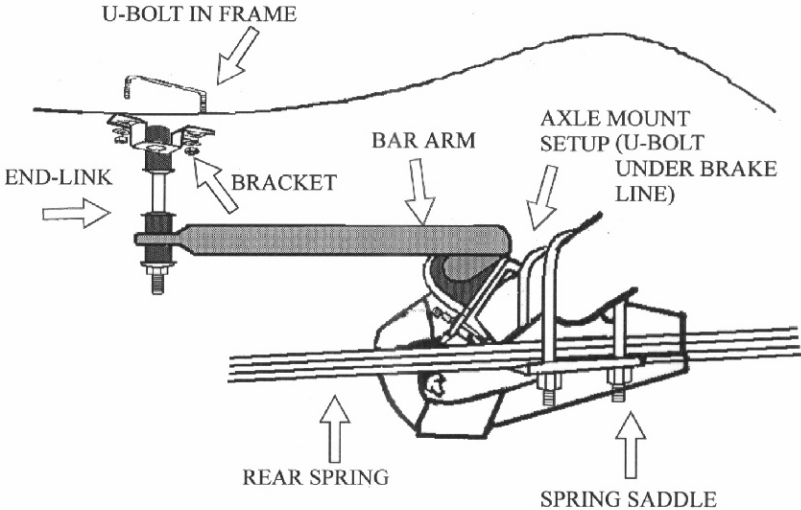
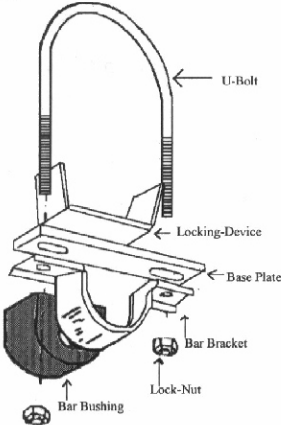


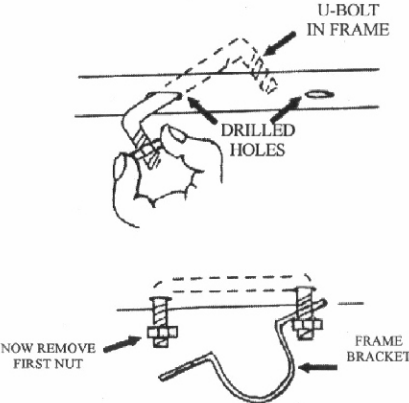
# DIRECTION 283



405 U-Bolt Set Up



HOW TO INSTALL A 402 U-BOLT



## Direction 283

- Step #1.** Place U-bolt around under axle. Place the locking device between the legs and over it the slotted plates so as to engage the U-bolt legs. Follow with the bar bracket that should already be around the bar. Start the nuts. Place the D-shaped rubber bushing on the bar near the bends, flat side down. Next, slide the bushing down the bar so that the bracket is around the rubber bushing. Be sure that the assembly is under the brake line so it will not crush it.
- Step #2.** Assemble end-link as illustrated. Pass the end-link center bolt through one cupped washer; through a rubber bushing; through the frame bracket (from inside it); through another bushing; a cupped washer; spacer tube; another cupped washer; and secure with a lock-nut. Be sure that washers have their cupped or hollow side towards the rubber bushing, and that the rubber bushings have the end with the stepped surface towards the bracket or bar eye. Tighten the lock-nuts so the assembly is securely snug but not so tight that the bushing bulge to a noticeable extent.
- Step #3.** The bar should be positioned so that the runs along, behind and above the rear axle with the arms facing to the rear and the dip up. Position bar so that the forges are horizontal. With the car resting naturally on its springs on level ground, the frame brackets should position themselves so as to align with the frame. Adjust the bar position relative to the axle if needed. The end-link on the left side should position on the frame just to the rear of the tail-pipe.
- Step #4.** Mark through the frame bracket holes. Drill one hole with a 3/8" drill bit. Use the square U-bolt to get the exact spacing for the second hole and drill it.
- Step #5.** Place a lock-nut on one leg of the square U-bolt. Insert the other end into one drilled hole. Maneuver it until it reappears through the other drilled hole. Place one end of the base plate and the frame bracket over the leg and start another lock-nut on it. Remove the first nut; position free end of plate and bracket over the U-bolt leg and replace the nut.
- Step #6.** Have someone bounce the rear of the car so you can check that all parts of the bar and hardware clear throughout the suspension travel distance (but don't be under the car when it is bounced). The rubber stops are visible, so measure the maximum travel; distance so you better estimate clearances. If all is clear, tighten nuts on the frame and axle.
- Step #7.** Road test the vehicle to familiarize yourself to its new handling. As we cannot supervise your installation or driving, we cannot be held responsible for more than the cost of the kit.  
**NOTE:** For best balance, stability and control use in conjunction with our front bar.

### HARDWARE

2	RH 214 Bolt
2	RH 041 Bracket
2	RH 016 End-Link
2	RH 410 U-Bolts
2	RH 052 Brackets
2	RH 600 Plates
2	RH 040 Brackets
2	RH 511 Bushings
2	RH 402 U-Bolts
10	RH 304 Lock-Nuts
6	RH 104 Washers