

## **DIRECTION 308**

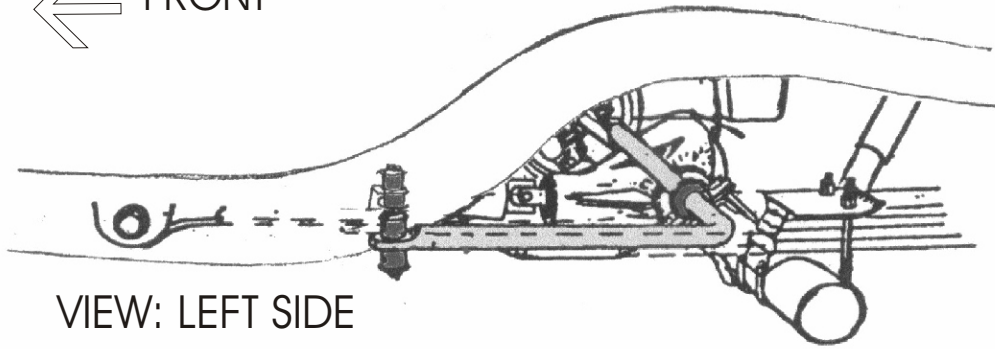
- NOTE:** For an easier installation the car may be placed on the car ramps. Never allow the suspension to hang while installing the bar.
- STEP #1.** Install the mid-section bushings on the sway-bar mid-section. Pass the U-bolts around the axle, making sure that they are between the brake line and the axle housing. The legs of the U-Bolt should point upward and toward the front of the car. Install the locking device and base plates on the U-bolt legs. Install the bar, (arms pointing to the front), the bushing brackets, and the lock-nuts onto the U-bolt legs. Tighten the lock-nuts leaving just enough slack for minor position adjustments of the bar on the axle.
- STEP #2.** Assemble the end-links to connect the bar eyes to the angle bracket as shown. The end-link bolt will pass through the 5/8" hole in the angle bracket and the 3/8" hole will be above the 5/8" hole.
- STEP #3.** Raise the ends of the bar so that the arms are near horizontal. Position the end-links so that it is near vertical. Mark the frame for drilling through the hole in the angle bracket. Drill the frame using a 3/8" drill bit.
- STEP #4.** Secure the angle bracket to the frame using the 3/8" bolts, washers and nuts provided. Tighten the bolts to 30 lbs/ft. Tighten the end-link nuts just enough to bulge the bushing a slight amount.
- STEP #5.** Road test your car to familiarize yourself to your new handling. As we cannot supervise your installation or your driving, we cannot be responsible for more than the cost of the kit. For better stability and balance, this kit should be used in conjunction with one of our front bars.

### **HARDWARE**

- 2 RH 013 End-links
- 2 RH 221 Bolts
- 2 RH 102 Washers
- 2 RH 022 Angle Brackets
- 6 RH 304 Lock-Nuts
- 4 RH 104 Washers
- 2 RH 054 Channel Brackets
- 2 RH 043 Brackets
- 2 RH 508 Bushings
- 2 RH 031 Plates
- 2 RH 405 U-Bolts

# DIRECTION 308

← FRONT



VIEW: LEFT SIDE

## END-LINK ASSEMBLY

