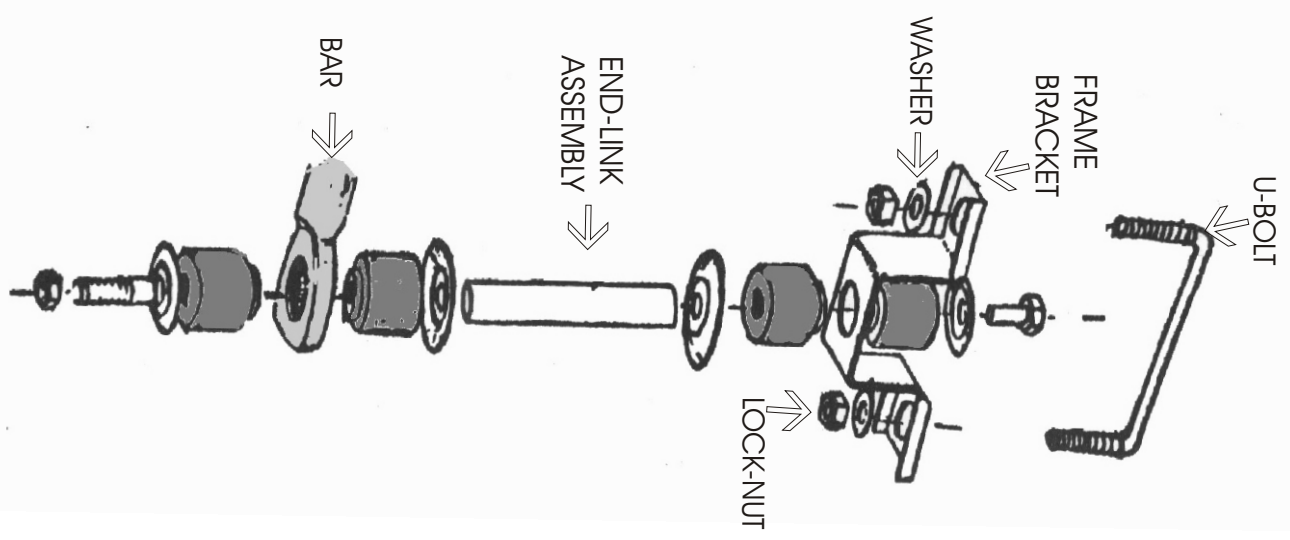
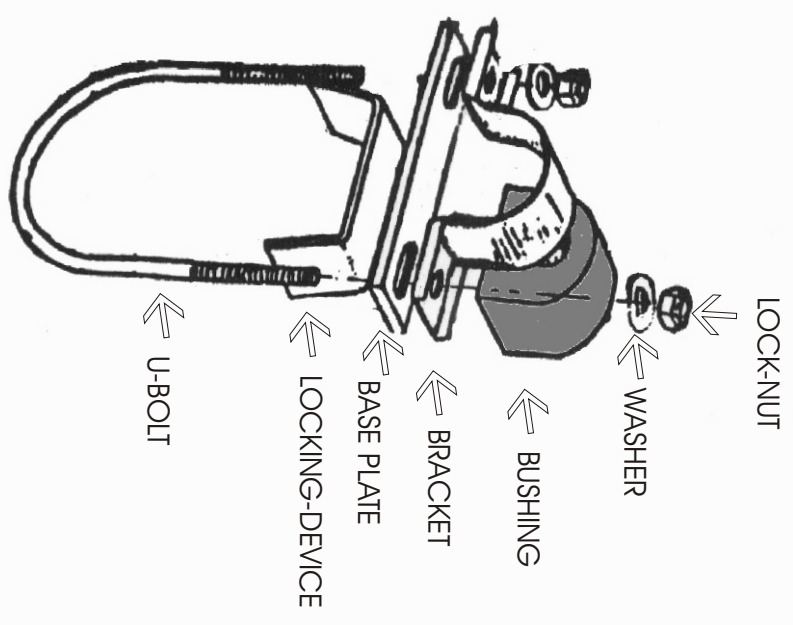
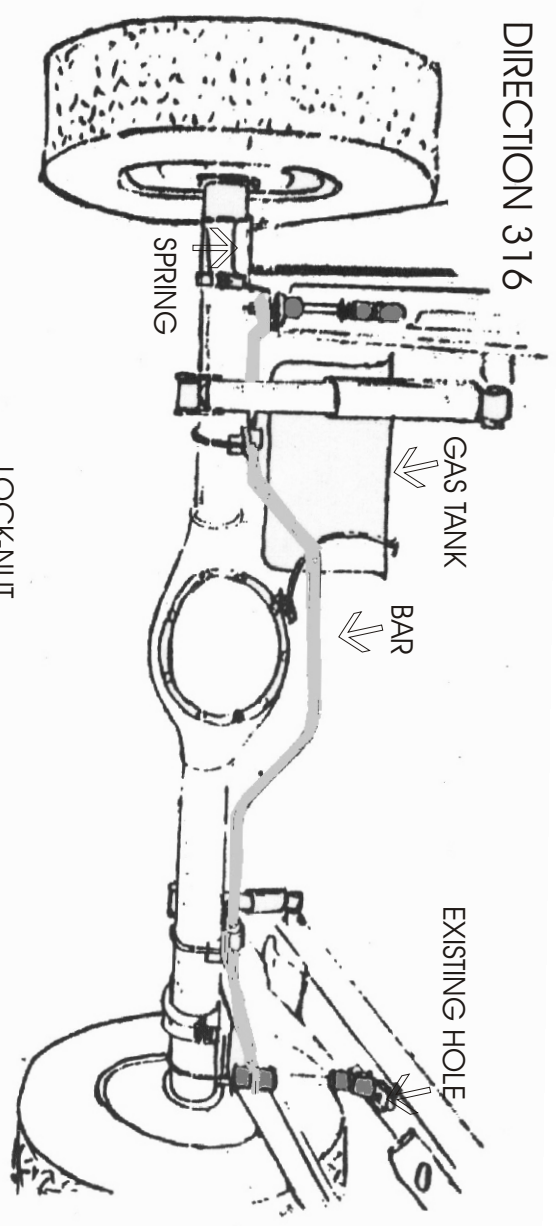


DIRECTION 316



DIRECTIONS 316

- STEP #.** Place the bar in position on the top of the axle, dip up, with the arms leading to the rear. On top of the axle toward the shoulders of the bar, place the locking device and the plate which will now be between the axle and the bar. Over the bar and aligning with the plate, place the bar bracket. Pass the large U-bolt up from below the axle, through the holes in the plate and bar bracket and start the nuts. Be sure that the U-bolt or other parts are between the brake line and the axle so it is not crushed or damaged.
- STEP #2.** Place the mid-section bushing on the bar mid-section and slide it under the bar bracket. Adjust the position of the brackets and the U-bolt about the axle so that they give best clearance to the shocks, the brake line "T", the rear end breather, etc. Also, make sure the assembly holds the bar in the most suitable position along the top part of the axle. The bolts and brackets need not be equally spaced along the axle on the two sides. Tighten the U-bolt nuts sufficiently to keep the assembly in position during installation.
- STEP #3.** Assemble the end-links onto the bar eyes as shown. The nut should be tightened only enough to keep the assembly snug.
- STEP #4.** Raise the bar arms so that the frame brackets are against the frame bottom. Be sure the van is resting on its springs when doing this. The rear hole of the bracket will locate just under the end of the existing oval hole in the frame bottom. Mark through the forward hole of the bracket. Drill with a 3/8" drill bit.
- STEP #5.** Place a nut on one leg of the U-bolt and insert the other end into one hole. Maneuver it until it reappears from the other hole. Pass it through one hole in the base plate and bracket and start another nut. Remove the first nut, place the U-bolt through the free end of the base plate and replace the nuts. Tighten the nuts enough to secure the U-bolt plate and bracket.
- STEP #6.** Have someone bounce the rear of the van so that you can check for clearance throughout the suspension travel distance. Tighten the nuts on the axle U-bolt to 10 lbs/ft. Check to make sure they are holding securely. Test drive the car and accustom yourself to its new handling. As we cannot supervise your installation or driving, we cannot be responsible for more than the cost of the kit. Important: All nuts in this kit are lock-nuts and will have to be turned with a wrench all the way.

NOTE: For best control and flat balanced cornering, this kit should be used in conjunction with our 1-1/4" front bar.

HARDWARE

2	RH 046 Brackets
2	RH 031 Plates
2	RH 041 Brackets
2	RH 402 U-Bolts
8	RH 104 Washers
2	RH 055 Brackets
2	RH 508 Bushings
2	RH 407 U-Bolts
8	RH 304 Lock-Nuts
2	RH 016 End-Links