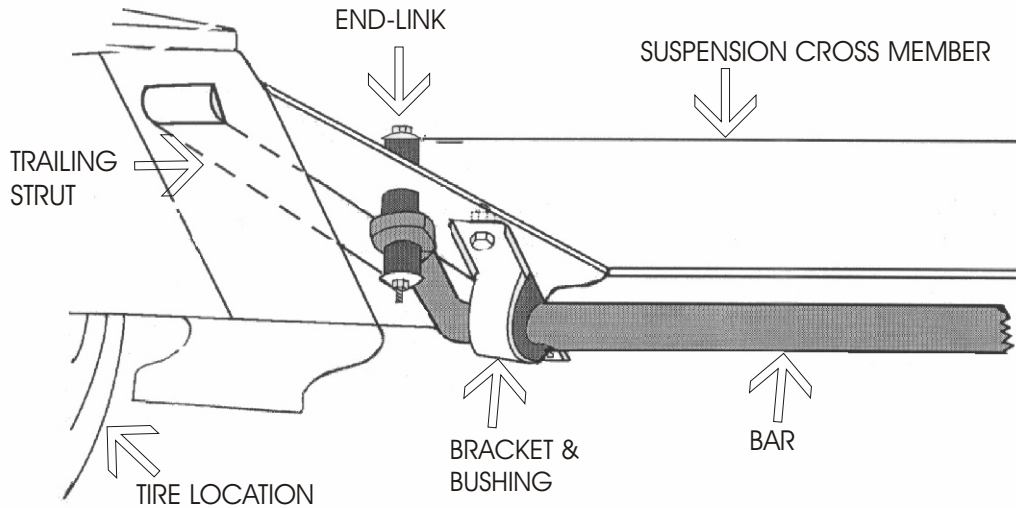


# DIRECTION 321



VIEW: LEFT REAR LOOKING FORWARD

## DIRECTIONS 321

**Step #1.** Assemble the end-links as illustrated, so as to connect the bar eye and the existing hole in the trailing strut web. Tighten the end-link nut until noticeable distortion is seen in the end-link bushings. Bar mid-section should run under the suspension cross member.

**Step #2.** Place D-bushing on the bar and position them along the bar at the point where the webs are located (see illustration). With brackets in place around bushing, mark webs through holes in the bracket. Drill with a 3/8" drill bit. Using the bolts provided, bolt the bracket to the web structure.

**Step #3.** Tighten the bolt's lock-nut to 10 lbs/sq. in..

**Step #4.** Check all fastenings. Test drive the car to accustom yourself to the car's new handling. As we cannot supervise your installation or your driving, we cannot be held responsible for more than the cost of the kit. **NOTE:** This bar should be used in conjunction with our front bar for best balance and control.

### HARDWARE

2	RH 043 Brackets
2	RH 509 Bushings
2	RH 019 End-Links
4	RH 214 Bolts
4	RH 304 Lock-Nuts
4	RH 104 Washers