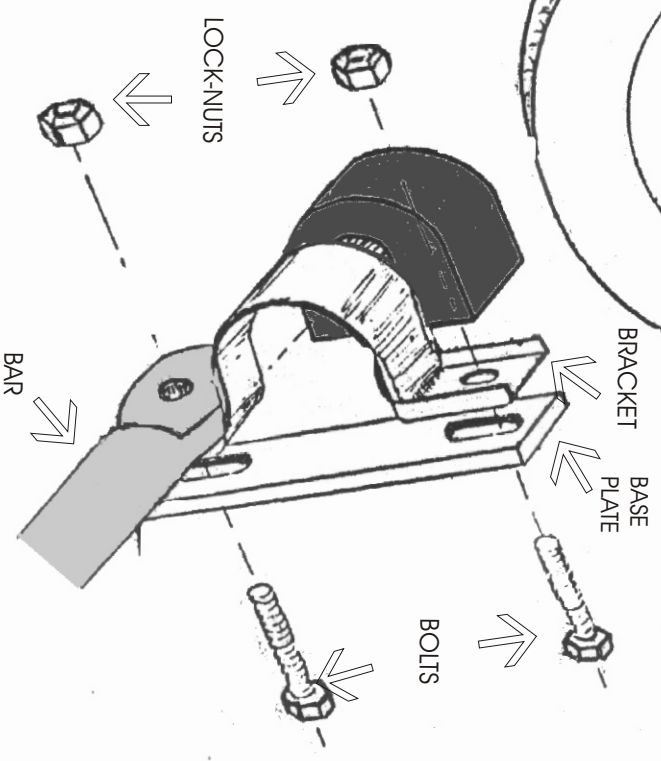
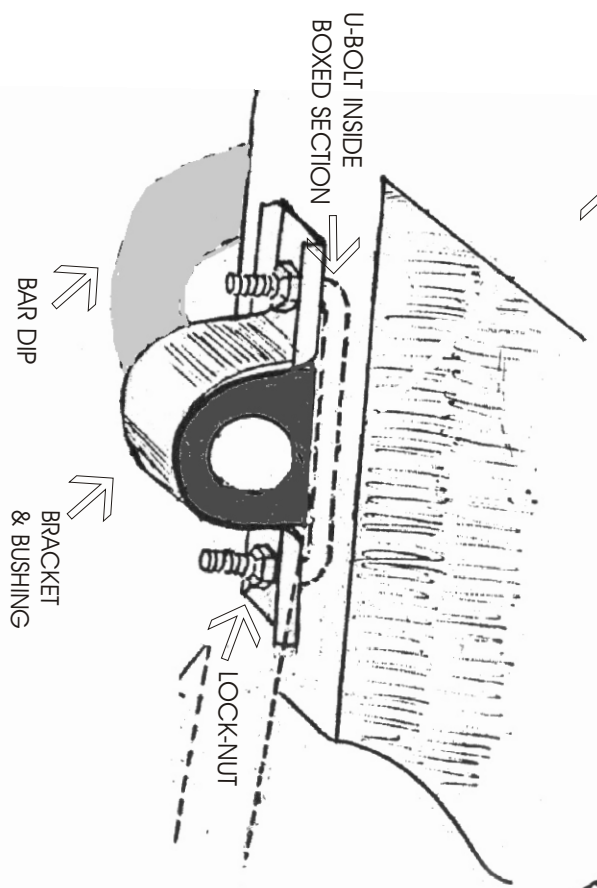
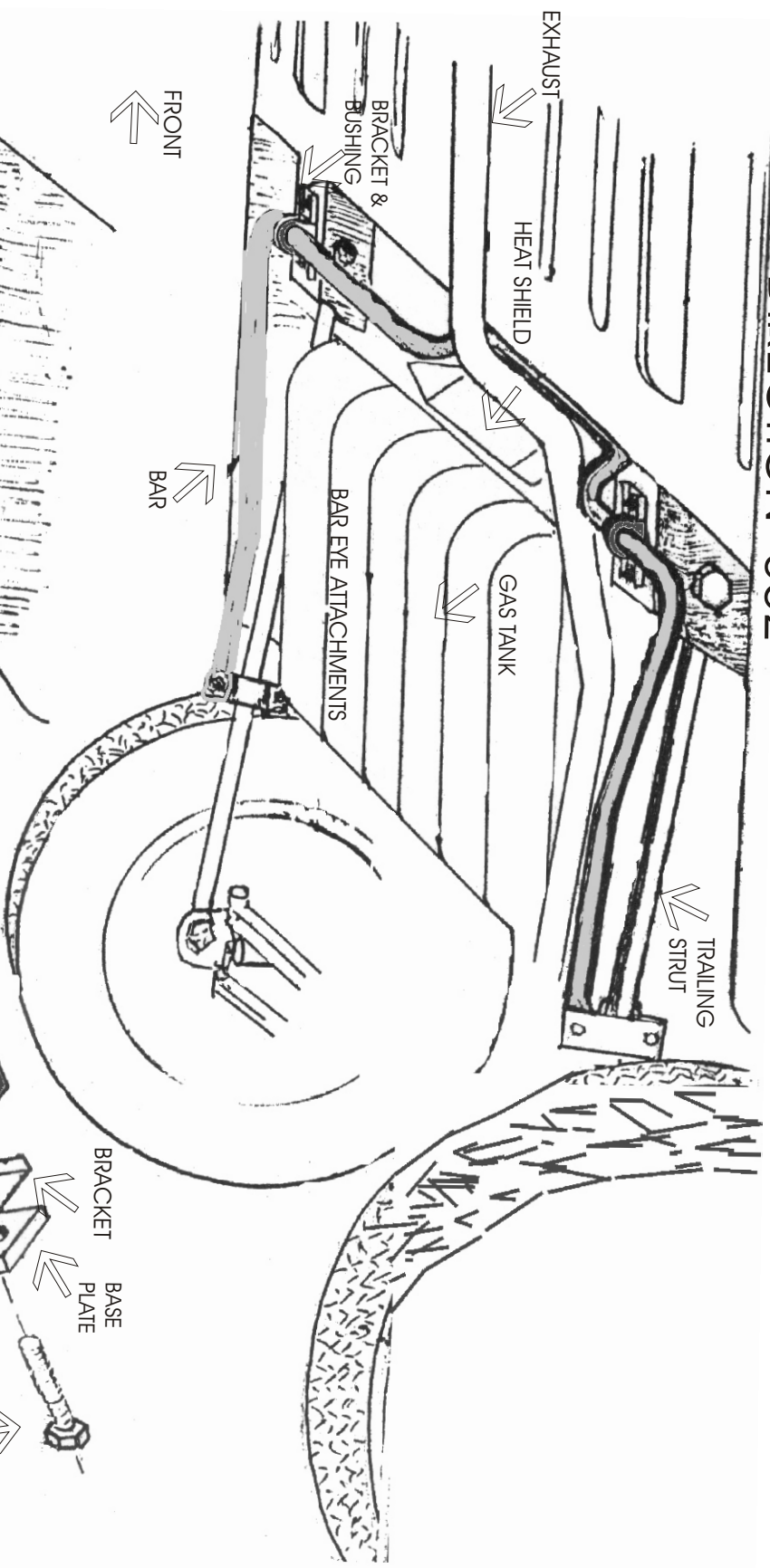


DIRECTION 362



DIRECTIONS 362**NISSAN STANZA - REAR**

- STEP #1.** Insert the bar over the exhaust pipe where it makes a 90-degree angle to the side, in front of the gas tank. Arms should be to the rear, dip up.
- STEP #2.** Assemble the eye brackets (these are the ones with one side left flat) loosely onto the bar eye and base plate so that they hold the two D-bushings that should already be on around the trailing strut rods. The longer 3/8" bolts go through the bar eye, the shorter ones go at the top holding just the base plate and eye bracket.
- STEP #3.** Place the remaining two D-shaped bushings around the bar mid-section next to the bends so as to locate under the two boxed areas that reinforce the trailing strut rod anchors. This will almost be under an existing hole.
- STEP #4.** Adjust bar assembly position by sliding it forward or back along the trailing strut rods. Adjust so that the mid-section hump best clears the exhaust. Then place the bar bracket around the bushing, on the bar, and mark through the holes for drilling. Repeat on the other side. Drill the holes with a 3/8" drill bit.
- STEP #5.** Insert one end of the U-bolt into one of the holes and maneuver until it falls from the other hole. Engage the bar bracket holes on the legs and start the lock-nuts. Idle the engine so as to be sure that the exhaust clears when vibrating and then pump the rear of the car up and down to be sure that all parts clear throughout the suspension travel distance. Tighten the U-bolts and lock-nuts to 10 ft./lb. Tighten the bolts on the bar eye bracket to 25 ft./lb.
- STEP #6.** Road test the vehicle to accustom yourself to its new handling. As we cannot supervise your installation, or your driving, we cannot be held responsible for more than the cost of the kit.
- NOTE:** For best results, flattest cornering and most balanced control, this kit should be used in conjunction with our front kit.

HARDWARE

2	RH 040 Brackets	2	RH 031 Base Plates
4	RH 508 Bushings	2	RH 402 U-Bolts
2	RH 213 Bolts	2	RH 217 Bolts
8	RH 304 Lock Nuts	2	RH 053 Brackets