



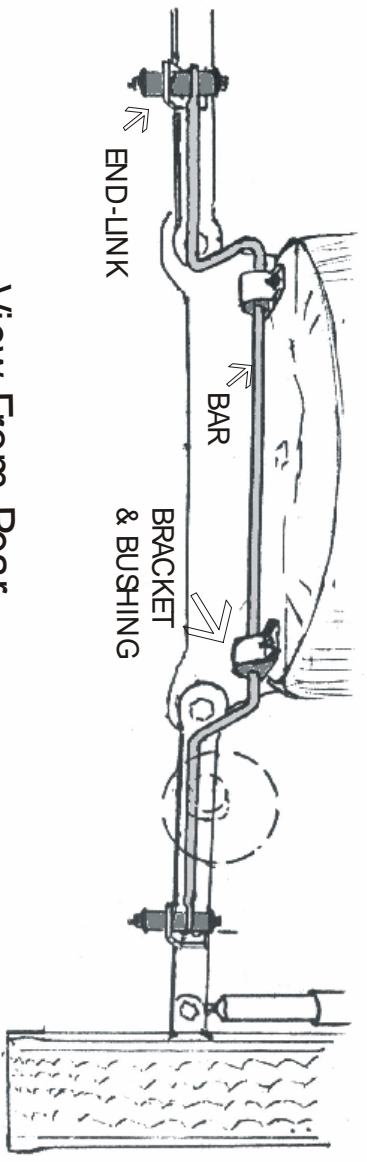
Part #366 1982 HONDA ACCORD - REAR 8-17-2005

- STEP 1.** Assemble end-link on the bar end. See the illustrations for correct sequence.
- STEP 2.** With the car resting naturally on its springs, slip the bar bushings onto the bar mid-section next to the bends. With right bar arm over the tail pipe, raise bar mid-section to the bottom of the spare tire well. Adjust location so the D-shaped rubber bushings are near the sides of the tire well. Note that the tire well is slightly off-center so the bushings will not be equal distances from the bends. Cover bushing with the bar bracket and mark well for drilling. Drill with a 3/8" drill bit. Using the 3/8" bolts provided, secure bar brackets so that the bar bushing is held securely. Be sure that the slotted plate is inside of the well and that the forges are horizontal when arms are in position.
- STEP 3.** Hold the bar so that the angle brackets are against the rear of the A-arm. Mark and then drill the A-arm with a 3/8" drill bit. Make sure end-links are vertical when marking the A-arm.
- STEP 4.** Using the bolts provided (3/8" diameter,) bolt the angles to the A-arm.
- STEP 5.** Check all fastenings for suitable tightness. Have someone bounce the rear of the car to check for full clearance throughout the suspension travel distance. Road test the vehicle to accustom yourself to its new handling. As we cannot supervise your installation, or your driving, we cannot be held responsible for more than the cost of the kit.

NOTE: For best results, this kit should be used in conjunction with our 7/8" diameter, heavy-duty front bar kit #735. This combination will give you the flattest, most balanced cornering and will prevent rear wheel lift.

HARDWARE

2	RH 040	Brackets
2	RH 031	Plates
2	RH 507	Bushings
2	RH 022	Brackets
2	RH 019	End-Links
6	RH 217	Bolts
6	RH 304	Lock-Nuts



View From Rear

