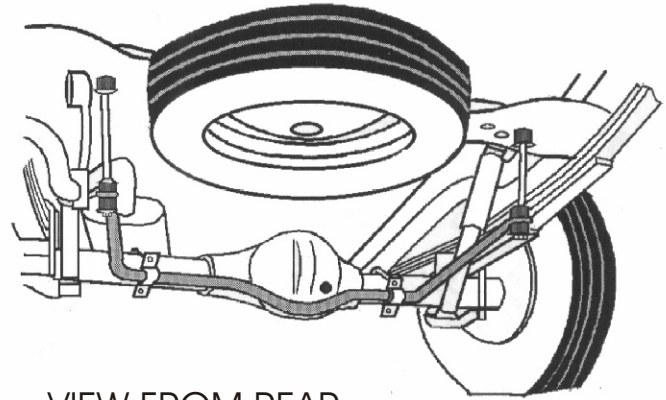
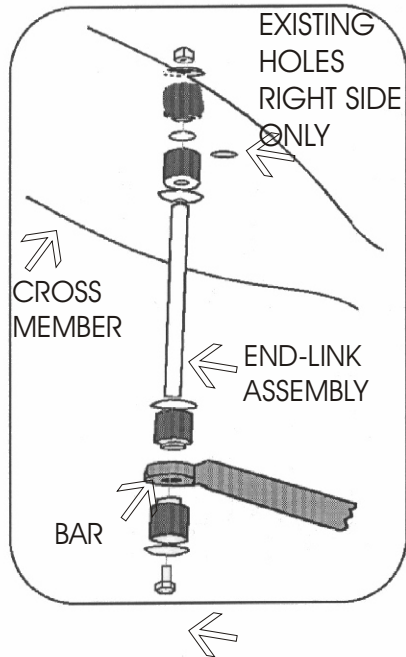
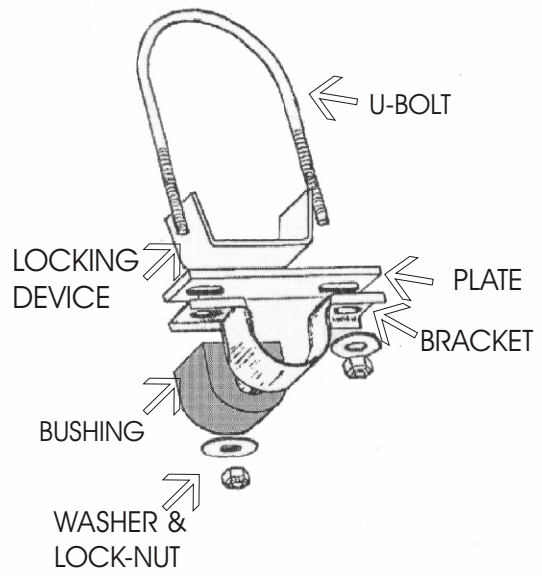


DIRECTION 384



AXLE MOUNT SETUP



DIRECTIONS 384

SOME NISSAN PICK-UPS COME EQUIPPED WITH LARGER REAR AXLES THAN OTHERS, PLEASE USE THE SIZE HARDWARE INCLUDED IN YOUR KIT WHICH FITS YOUR VEHICLE.

- STEP #1.** Pass the U-bolts around the axle making sure that they are between the brake line and the axle housing. They should be located near the bends of the shoulders of the bar. When the bar is in the position illustrated, the legs should tilt down towards the rear so that the bar will position itself below the brake valves and cables.
- STEP #2.** Engage the locking device and base plates with the U-bolt legs. Follow with the bar bracket (around the bar) and start the lock-nuts. Place the D-bushing on the bar and then slip it into the bar bracket. Repeat on the other side.
- STEP #3.** Assemble the lower half of the end-links onto the bar eyes and adjust so the end-link locates through the center of the three small holes on the passenger side. (On four wheel drive models use end-links that were secured on 3/8" bolts. On two wheel drive models use the same washers and bushings, but use them with the 5/16" bolts and the shorter center spacer.) When you have the end-links near vertical and the bar eye meeting the end-links at near 90 degrees, note the bar position on the axle by tightening the lock-nuts on the axle clamp assembly.
- STEP #4.** Drill out the existing hole to 5/8" and then assemble the end-links to connect the bar eye to the 5/8" hole.
- STEP #5.** On the driver's side, measure directly up from the bar eye and mark the web structure for drilling. Drill a 5/8" hole. Assemble the left side end-link into this hole and the bar eye. Tighten the end-link bolts only enough to keep the assemblies snug, otherwise they will deteriorate prematurely.
- STEP #6.** Check all fastenings for suitable tightness. The axle bracket lock-nuts should be tightened to 20 ft./lb. and the locking device should spread onto the axle.
- STEP #7.** Road test your vehicle so as to accustom yourself to its new handling. As we cannot supervise your installation, or your driving, we cannot be held responsible for more than the cost of the kit.
- NOTE:** For best balance, cornering and highway tracking this bar should be used in conjunction with our front bar kit.

HARDWARE:

2 RH 017 End-Links	2 RH 046 Brackets
2 RH 031 Plates	2 RH 055 Brackets
2 RH 407 U-Bolts	4 RH 104 Washers
4 RH 304 Lock-Nuts	2 RH 507 Bushings
2 RH 209 Bolts	2 RH 062 Tubes
2 RH 307 Lock-Nuts	2 RH 405 U-Bolts
2 RH 054 Channel Bracket	2 RH 043 Brackets