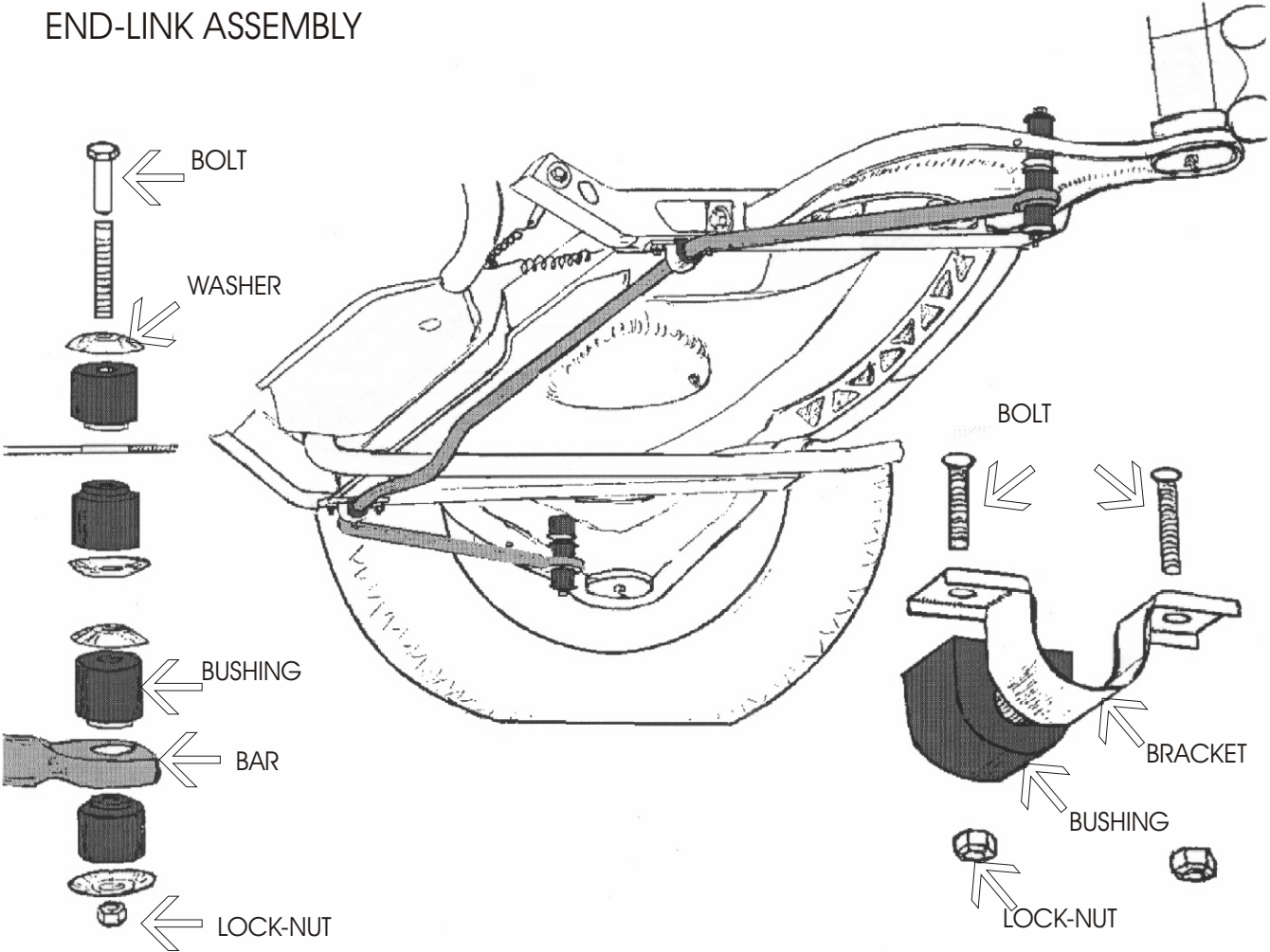


DIRECTION 385

FRONT

END-LINK ASSEMBLY



DIRECTIONS 387

- STEP #1.** **Locate existing outer 3/8" diameter hole in control arm. Drill out hole to 5/8" diameter to better accept end-link assembly. Assemble the end-links to connect the existing holes in the A-arm and the bar eyes. Tie the mid-section of the bar up to the exhaust pipe to facilitate this. The bar eyes locate below the A-arm.**
- STEP #2.** **Slip the mid-section bushing onto the mid-section under the frame. Position the bar bracket to support the bushing against the frame. Mark through the frame bracket holes for drilling. Drill the bottom of the frame with a 3/8" drill bit.**
- STEP #3.** **Insert the 3/8" bolts provided into the frame from the side opening so that they drop out through the drilled holes. Secure the bar bracket, the bar and the bushings using the lock-nuts on these bolts. Tighten to 20 ft/lb.**
- STEP #4.** **The installation is now complete. Road test your Fiero and accustom yourself to its new handling. As we cannot supervise your installation, or your driving, we cannot be responsible for more than the cost of the kit.**
- NOTE:** **For best stability and handling this kit should be used in conjunction with our front bar kit.**

HARDWARE

2 RH 508	Bushings
2 RH 040	Brackets
2 RH 013	End-Links
4 RH 214	Bolts
4 RH 304	Lock-Nuts