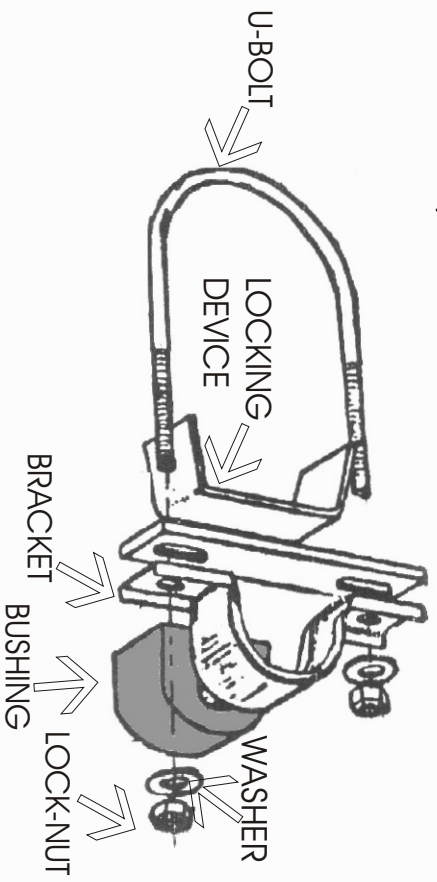
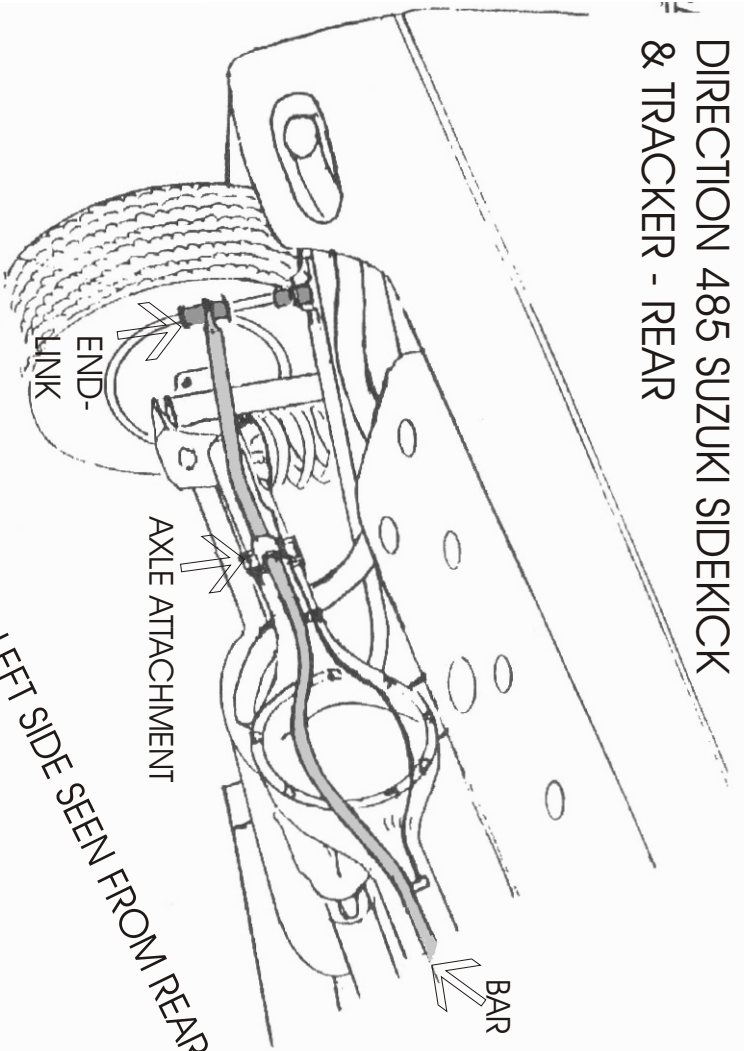
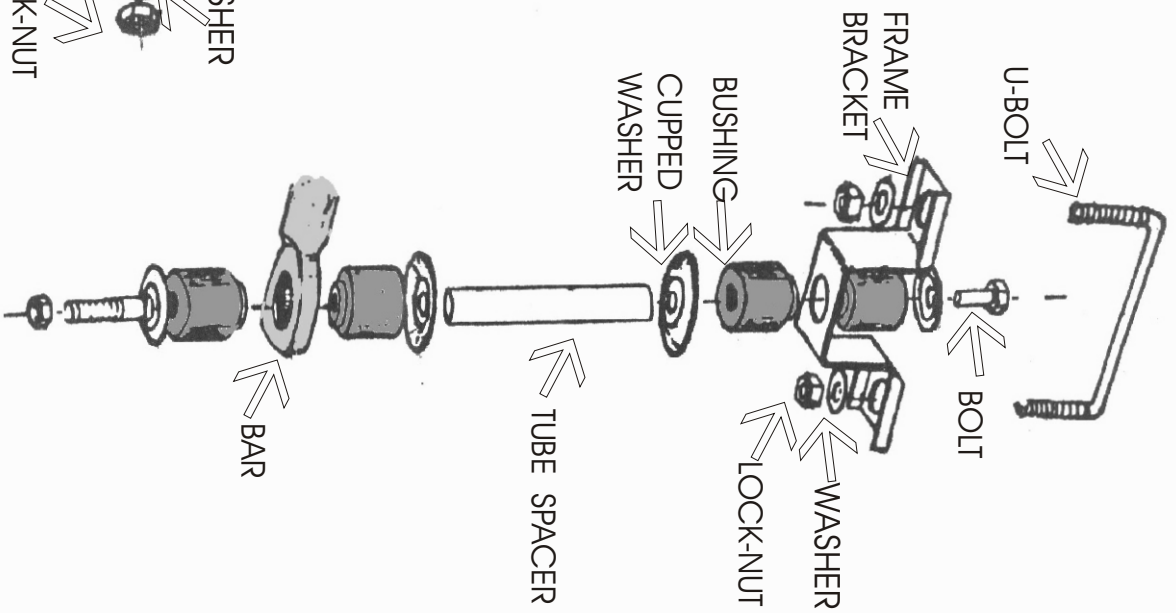


DIRECTION 485 SUZUKI SIDEKICK
& TRACKER - REAR



AXLE BRACKET DETAIL



END-LINK
DETAIL

DIRECTIONS 485

- Step #1.** Place the U-bolts around the axle. Be sure they are passed under the brake line so as not to pinch them. Place the slotted plates on the U-bolt so as to engage the U-bolt legs. Follow with the bar bracket that should already be around the bar. Start the nuts. Place the mid-section bushings on the bar near the bends. Next, slide the loosely assembled U-bolt and bracket assembly down the axle so that the bracket is around the rubber bushing. Insert the locking device from one side, legs toward axle. Center it on the slotted plate. The bar dip should be under the rear of the differential with the arms to the rear.
- Step #2.** Assemble the end-link as illustrated to connect the frame bracket to the bar eye, and secure it with a lock-nut. Be sure that the washers have their cupped or hollow side towards the bushings and that the bushings have the end with the stepped surface towards the bracket or bar eye. Tighten the lock-nut so the assembly is secure, but not so tight that the bushings bulge to a noticeable extent.
- Step #3.** Position the bar so that the forges are horizontal and the axle clamp assembly holding the bar mid-section is behind the axle. With the car resting naturally on its springs on level ground. The frame brackets should position themselves to align with the frame.
- Step #4.** Mark through the frame bracket holes. Drill one hole with a 3/8" drill bit. Use the bracket to get the exact spacing for the second hole and drill it.
- Step #5.** Place a nut on the U-bolt and insert the other end into one hole, maneuver it until it reappears from the other hole. Pass it through one hole in the base plate and bracket and start the U-bolt the free end of the base plate. Tighten the nuts to secure U-bolt plate and bracket.
- Step #6.** Have someone bounce the rear of the car so that you can check for clearance throughout the suspension travel distance. Tighten the nuts on the axle U-bolt to 15 ft/lbs, and check for tightness of all fastenings. Test drive the car and accustom yourself to its new handling. As we cannot supervise your installation or driving, we cannot be responsible for more than the cost of the kit. **NOTE:** For best control and flat balanced cornering, this kit should be used in conjunction with our front bar.

HARDWARE

2	RH 407	U-Bolts
2	RH 055	Brackets
2	RH 031	Plates
2	RH 507	Bushings
2	RH 046	Brackets
8	RH 104	Washers
8	RH 304	Lock-Nuts
2	RH 016	End-Links
2	RH 041	Brackets
2	RH 402	U-Bolts