



Part #499

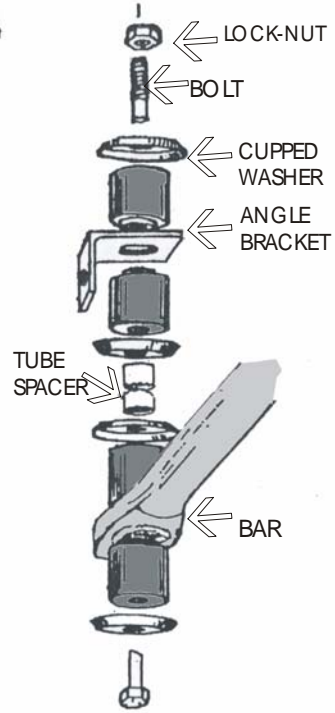
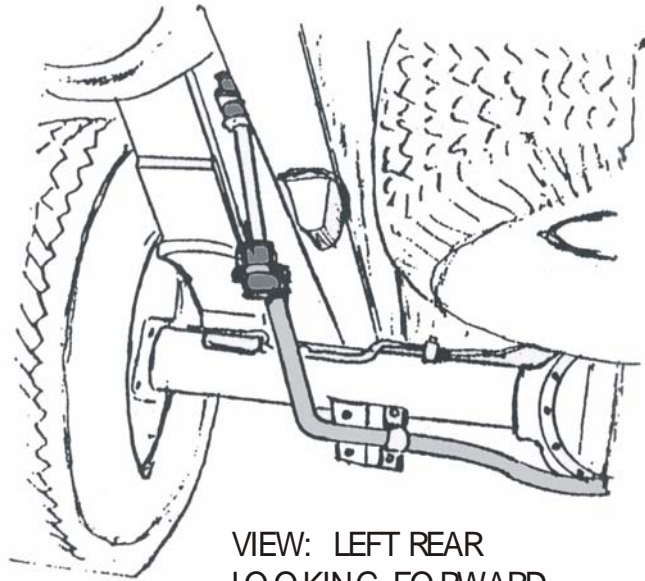
8-20-2005

- Step 1.** Disconnect the lower ends of the shock absorbers. From the front side, pass two bolts through the existing holes in the shock standoff bracket to engage the corresponding holes in the mounting plate. See the illustration for the positioning to compensate for the angle of the shock standoff. The plate should be held with the top horizontal. Tighten the lock-nuts to 30 ft/lbs.
- Step 2.** Place the D-bushings and brackets around the bar mid-section and start the bolts to the holes on the inboard side of the mounting plate. Note that the bar arms should be to the rear and the center dip should pass to the rear of the bottom of the differential. Tighten the bolts to 25 ft/lbs.
- Step 3.** Assemble the end-links as illustrated so as to connect the eye of the bar to the angle bracket. Note that the angle bracket, which is above the bar eye, should have its vertical leg pointing down.
- Step 4.** Raise the bar arms so that the top of the end-links passes between the spring and the frame. Raise it until the eye of the bar is approximately horizontal from front to rear while the van is resting on its springs with its average load on them. The angle should position itself high on the outside of the frame. (If it is installed too low it could be struck by the spring on full suspension compression). Mark through the hole in the angle bracket. Drill the frame with a 3/8" drill bit and then secure the angle bracket with the bolts provided. Torque to 25 ft/lbs.
- Step 5.** Check all fastenings for proper torque. Tighten the nuts on the end-links just enough to keep assembly snug. Bounce the rear of the van while you check the movement of the spring to be sure that the spring cannot contact the angle bracket, and all other parts clear throughout the suspension travel distance. The installation is now complete. As we cannot supervise your installation or driving, we cannot be responsible for more than the cost of the kit.

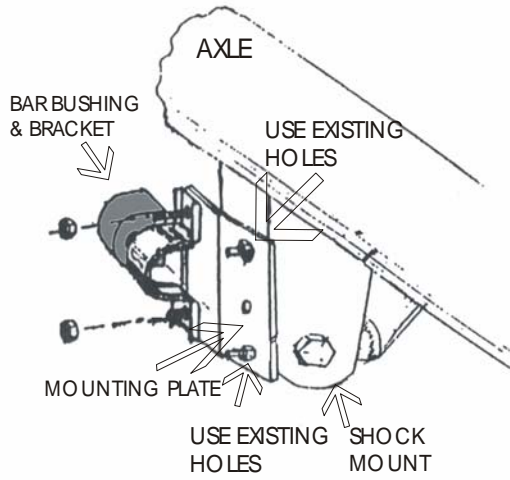
HARDWARE

10	RH 214	Bolts
10	RH 304	Lock-nuts
2	RH 017	End-links
2	RH 046	Brackets
2	RH 022	Angles
2	RH 509	Bushings
2	RH 607B	Brackets
4	RH 104	Flat Washers

DIRECTION 499



E-250 & 350



E-150

