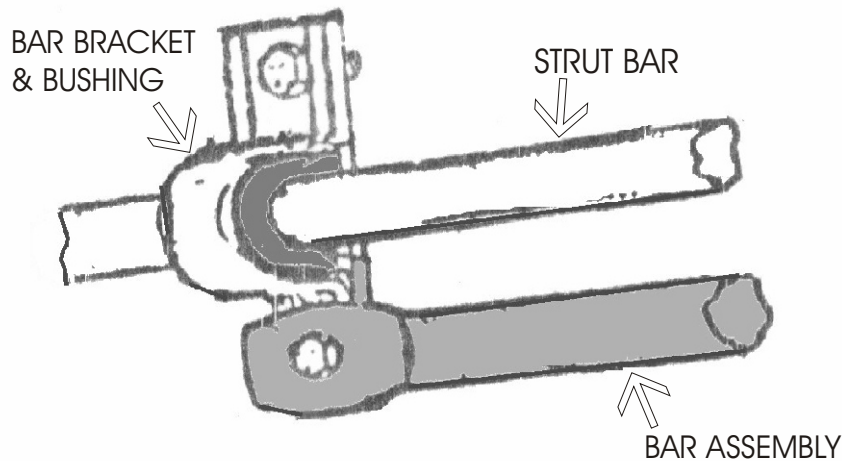


DIRECTION 532 HYUNDAI FRONT



DIRECTIONS #532 HYUNDAI FRONT

- STEP #1.** When installing this bar car must rest on its springs, on level ground. For ease of installation car may be placed on car ramps.
- STEP #2.** Remove factory ant-sway bar and brackets.
- STEP #3.** Place D-bushings around mid-section of sway bar. Hold bar up against cross-frame and place bar bracket over D-bushing and insert tab end of bracket into slot. Then secure bracket with the factory bolt. Repeat for the other side. **NOTE: LEAVE THESE BOLTS LOOSE FOR RIGHT NOW UNTIL BRACKETS ARE PLACED ON THE END OF THE BAR AND AROUND STRUT RODS.**
- STEP #4.** Place 5/8" D-bushings around the strut rods and assemble brackets and base plates as shown.
- STEP #5.** Center bar so that it will allow the strut rod brackets to be as close to vertical as possible. Tighten these bracket bolts to 25 ft lbs. Now go back and tighten mid section bolts to 20 ft lbs.
- STEP #6.** Installation is now complete. Have someone bounce the front of the car to check on the clearance of all suspension parts. Road test your vehicle to familiarize yourself with it's new handling. As we cannot supervise your installation or your driving we cannot be held responsible for more than the cost of the kit. For best balance and control this kit should be used with our rear kit #436

HARDWARE

- 2 RH 053 STRUT ROD BUSHINGS
- 2 RH 031 BACKING PLATES
- 2 RH 510 D-BUSHINGS
- 2 RH 214 BOLTS
- 4 RH 304 LOCK-NUTS
- 8 RH 104 SAE FLAT WASHERS
- 2 RH 226 BOLTS
- 2 RH 042 MIDSECTION BRACKETS
- 2 RH 509 D-BUSHINGS