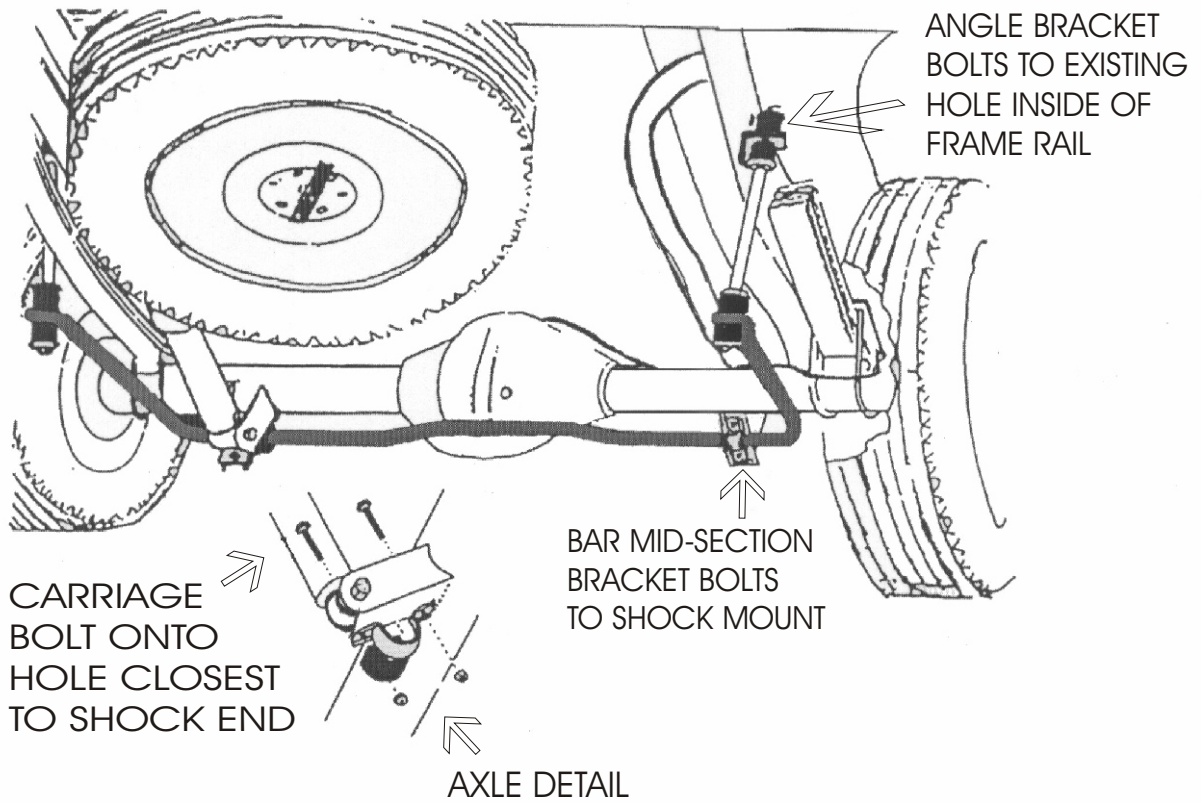


DIRECTION 689B



NOTE: REMOVE SHOCK FROM LOWER MOUNT TO INSTALL BAR BRACKET BOLTS.

DIRECTIONS 689

- Step 1.** Remove lower shock mount bolt and pull bottom of shock away from the mount. Insert the carriage bolt into the existing hole closest to the bottom of the shock. With the regular nut provided tighten the carriage bolt so as to seat the bolt into the shock mount. Now remove nut and replace the shock into the mount. Repeat for other side.
- Step 2.** Lubricate the inside of the D-bushings and place them around the mid-section of the bar at the approximate width of the shock mounts. Hold bar up to shock mount, place the bar bracket over the bushing and secure it with the fasteners provided. Repeat for other side.
- Step 3.** Assemble the end-links as seen in the illustration so as to connect the eyes of the bar to the end-link brackets and the reinforcement plates. Now swing the end of the bar up so that the end-link brackets are against the bottom of the frame rail. Mark the bottom of the frame rails using the holes in the reinforcement plate for the correct hole spacing. Drill the frame rails using a 3/8" drill bit. **NOTE: ALWAYS WEAR EYE PROTECTION WHEN DRILLING!**
- STEP 4.** Now place the tube spacer and washer in between the reinforcement plate and the end-link bracket. Using the fasteners provided, attach the end-link bracket assembly to the bottom of the frame rail. Tighten bolts to approximately 30 ft. lbs. Tighten end-links just so that they are snug. **NOTE: Over tightening of end-links will result in end-link failure!**
- STEP 5.** Check bar for any interference with other components through out suspension travel. Since we cannot supervise your installation or driving we cannot be held responsible for more than the cost of the kit.

HARDWARE

2 RH 259 Carriages Bolts	18 RH 104 Washers
2 RH 046 Bar Brackets	2 RH 018 End-links
2 RH 509 D-Bushings	2 RH 041 End-link Brackets
2 RH 214 Bolts	2 RH 034B Plates
8 RH 304 Lock Nuts	4 RH 066 Tubes
2 RH 115 Lock Washers	4 RH 207 Bolts
2 RH 301 Nuts	