



Part #973 Rear Bar For Volvo PV 544

8-27-2005

- Step 1.** The anti-sway bar mounts to the rear of the trailing struts. The mounting plates can either be drilled to match the existing holes in the rear of the suspension arm or the suspension arm can be drilled to accept the holes in the mounting plate.
- Step 2.** First the plates should be attached to the bar using the U-bolt and cap screw and lock-nuts provided. Then the bar can be aligned in place and the holes marked for drilling.
- Step 3.** Attach the mounting plates to the rear of the suspension arm using the bolts provided.
- Step 4.** Check all lock-nuts and tighten to 20 ft/lbs.
- Step 5.** Road test the car and familiarize yourself with your cars greatly improved handling characteristics. As we cannot supervise your installation or driving, we cannot be held responsible for more than the cost of the kit.

Hardware

6 RH 213 Bolts

4 RH 102 Washers

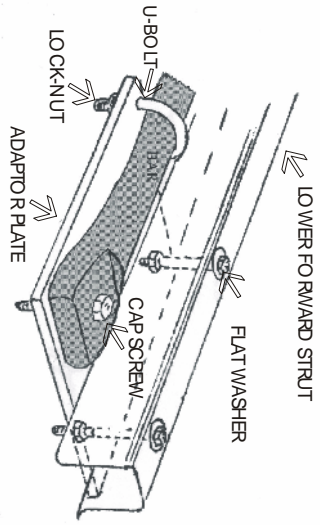
2 RH 039 Plates

10 RH 304 Lock-Nuts

2 RH 400 U-Bolts

DIRECTION 973

BAR DETAIL MOUNT



BAR ASSEMBLY ILLUSTRATION

