



Part #979

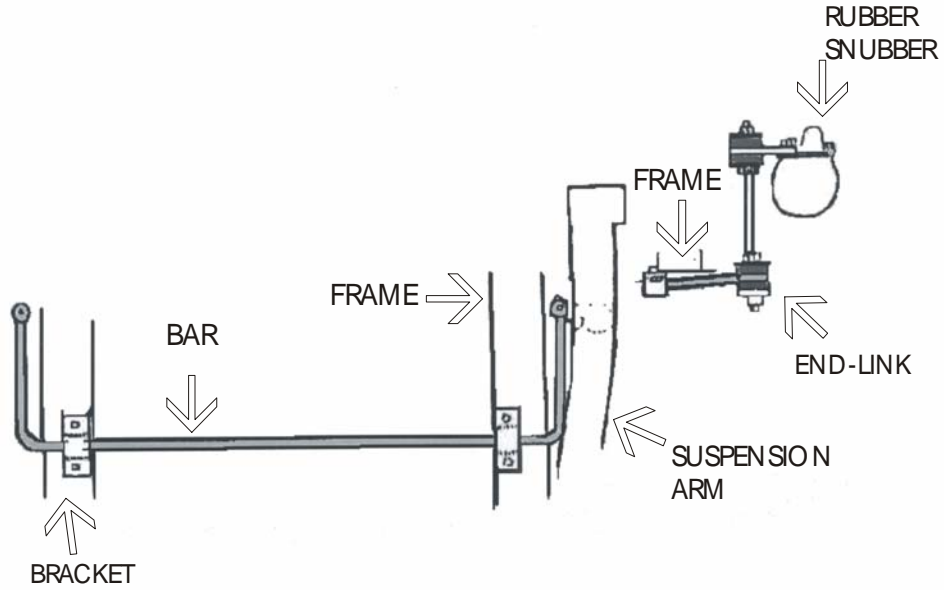
8-27-2005

- Step 1.** Slide the bushing onto the bar.
- Step 2.** Position the bar so that the arms face to the rear, and the mid-section crosses at a point suitable for attaching with the bolts and brackets provided where the bar does not interfere with the fuel pump.
- Step 3.** Assemble the end-links as shown. The large hole in the adaptor and in the bar ends are cushioned between neoprene grommets and held in place by the large washers and nuts above and below. By adjustment of the nuts the desired distance between bar and adaptor plate may be obtained.
- Step 4.** Remove the wheel. When doing this, do not allow the suspension to hang. Remove the inboard bolt that holds down the rubber snubber on top of the suspension arm. Replace it through the small hole in the adaptor plate to give the best clearance and connection to bar.
- Step 5.** Mark the frame through the brackets for drilling with a 3/8" drill bit. Drill and attach with cap screws and nut provided.
- Step 6.** Bounce the car and make sure all parts clear throughout the suspension travel distance. Road test vehicle and accustom yourself to the cars new handling. As we cannot supervise your installation or driving, we cannot be held responsible for more than the cost of the kit.

**Hardware**

2 RH 016 End-Links	2 RH 510 Bushings	2 RH 040 Brackets
2 RH 031 Base Plates	2 RH 032 Plates	2 RH 402 U-Bolts
4 RH 304 Lock-Nuts		

# DIRECTION N 979



## HOW TO INSTALL A 402 U-BOLT

