



Part #981

8-27-2005

- Step 1.** Attach the sway bar to the reinforcing plates using the short bolts and U-bolts. This should be checked first for ease of assembly.
- Step 2.** With plates attached to the bar, it should be held up under the car in position. As the lower suspension struts are parallel the only consideration as to fore and aft location far enough to the rear so rising portion of tail pipe will just clear it as car is depressed on its springs. At this point bar will also just clear under differential without reducing road clearance.
- Step 3.** With the bar in position against the bottom of the lower suspension strut, mark it for drilling.
- Step 4.** Drill the strut with a 3/8" drill bit and bolt the sway bar on. Dip should be down.
- Step 5.** Have someone bounce the rear of the car while you check movement of all parts to be sure that no part of the kit can contact exhaust shock, gas tank, differential, etc. If all is clear throughout maximum travel of the rear suspension. Tighten all nuts.
- Step 6.** Road test the car and familiarize yourself with your cars greatly improved handling characteristics. As we cannot supervise your installation or driving, we cannot be held responsible for more than the cost of the kit.

Hardware

2 RH 213 Bolts

4 RH 205 Bolts

4RH 102 Washers

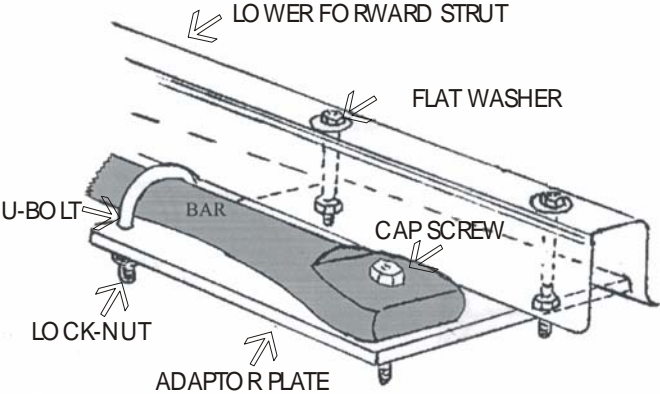
2 RH 400 U-Bolts

2 RH 039 Plates

10 RH 403 Lock-Nuts

DIRECTION N 981

BAR DETAIL MOUNT



BAR ASSEMBLY ILLUSTRATION

