



Part #999

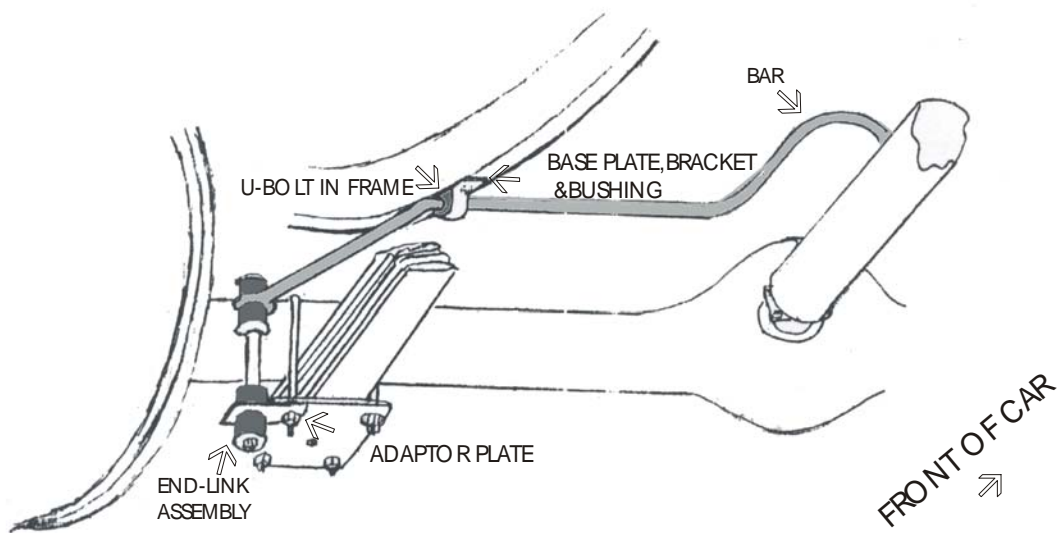
8-28-2005

- Step 1.** Partially jack up rear of car with a bumper jack. From right side of car, insert the anti-sway bar over the drive shaft with the ends of the bar towards the rear above the springs.
- Step 2.** Remove forward outboard nut from spring U-bolt under the spring's saddle plate. Put small hole of the adaptor plate on the U-bolt end and replace nut.
- Step 3.** Assemble end-links as shown so that they connect bar ends to adaptor plates. Place large rubber bushing on bar mid-section next to bends and against the frames. Cover with the frame bracket and mark the frames. Drill 3/8" holes in bottom side of frames using the provided base plate to get correct hole spacing for frame U-bolt
- Step 4.** Place a lock-nut on one end of the U-bolt and insert the other end through the hole in the frame bracket, base plate and into the frame. Maneuver until it reappears through the other hole in the frame. Cover with free ends of the base plate and frame bracket and secure with the remaining lock-nut.
- Step 5.** Check all fastenings for tightness. The nut on the bottom of the end-link should only be tight enough to keep the assembly snug, but not tight enough to compress the bushing. Have someone bounce the rear of the car so you may check all clearance throughout the suspension travel distance.
- Step 6.** Road test your car so as to familiarize yourself with its new handling. As we cannot supervise your installation or driving, we cannot be held responsible for more than the cost of the kit. **NOTE:** For best results this kit should be used in conjunction with our 7/8" front bar.

Hardware

| | |
|---------------------------|--------------------------------|
| 2 RH 016 End-Links | 2 RH 507 Bushings |
| 2 RH 040 Brackets | 2 RH 031 Base Plates |
| 2 RH 032 Plates | 2 RH 402 Square U-Bolts |
| 4 RH 304 Lock-Nuts | |

DIRECTION 999



U-BOLT DETAIL

